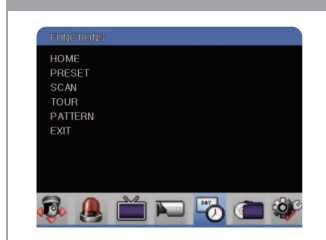


EASY TRAK™



MOTION
TRACKING

GUI (Graphical User Interface)



KEY FEATURES

- Modular Design
- GUI (Graphical User Interface)
- 99 Schedule management through real time clock
- Auto Calibration by magnetic sensor
- Auto Tracking
- Individually programmable preset control
- De-icing Housing (Optional)
- Day & Night Schedule & Modular Design improvement from SD Series
- Remote Heater Control

EasyTrak™ Mini PTZ Dome Camera

SIE, 10X A/F Optical Zoom, 10X Digital Zoom, Day/Night, 550 TV Lines, Vandalproof PTZ Dome Camera

MS-Z10P • MS-Z10P-FH

PAL



KEY FEATURES

- 1/4" CCD Sensor
- 550 TV Lines
- 10X A/F Optical Zoom Lens (3.8~38mm)
10X Digital Zoom
- Day/Night Functionality with ICR and DSS
- Multiple Protocol Support with Auto Detection and Setup
- Programmable Vector/Diagonal Scan during Auto Tour
- Minimized Vibration at Slow Speeds
- "Instant Digital Flip" of 180° during Tilt Travel
- On Screen Camera Direction Display: North, South, East, West
- 360° Continuous Pan
- 4 Patterns with 120 Seconds of User Programmable Time & Memory
Customized Pattern Include - Pan, Tilt, Zoom
- 4 Tours. Each Tour Consists of 32 Functions.
Various Functions Include - Preset, Auto Scan, Tour, Pattern, Individual Dwell Time & Speed
- 24 Area Title (16 Digit per Title)
- 128 Presents with Zoom, Focus, BLC & Title
- 8 Privacy Zone Masking
- Camera ID - Up to 3999
- RS-485 Communication
- Pull-Down User Menu
- Download / Save / Upload PTZ Settings using CK-1000
- Built-in Power Surge Protection
- Power Requirement: 24VAC (20W)

CONSTRUCTION

- 4" Polycarbonate Bubble
- Flush Mount Housing (Standard)
- Impact Resistant Dome w/ Aluminum Housing
- Weatherproof - IP66
- Aluminum Mounting Accessories (Optional)
- Built-in Fan & Heater
- Compact Size

AVAILABLE ACCESSORIES

- CA-SMC30: Service Monitor Cable
- CA-PM: Pedestal Mount
- CA-CMB: Corner Mount Bracket
- CA-PMB: Pole Mount Bracket
- CA-JB: Junction Box

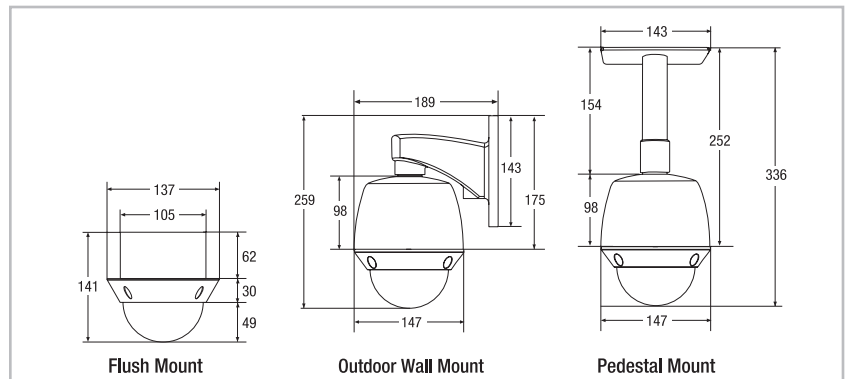
TECHNICAL SPECIFICATIONS

Technical Specifications	MS-Z10P
Video Format	NTSC / PAL
Image Sensor	1/4" CCD
Horizontal Resolution	550 TV Lines (Color), 600 TV Lines (B/W)
Day/Night Functionality	Yes w/ ICR
Lens Type	10X A/F Optical Zoom 3.8mm-38mm 10X Digital Zoom (Total: 100X), Auto Focus & Auto Iris
Angle of View	51°(W) ~ 5.6°(T)
Min. Focus Distance	1.5m
Communication	RS-485
Sync System	Internal / External (V-Lock)
Effective Pixels (HxV)	768(H) x 494(V)
Scanning System	525 Lines. 2:1 Interlaced
Electronic Shutter	1/60 ~ 1/120,000 sec.
Main Video Output	1.0 Vp-p Composite, 75 ohm
Service Monitor Output	1.0 Vp-p Composite, 75 ohm
Minimum Illumination	0.7 Lux (Color), 0.02 Lux (B/W), 0.005 Lux (DSS On)
S/N Ratio	More than 50dB (AGC Off)
BLC / DNR	Yes (On/Off)
Focus / WB / Iris / Gain Control	Auto with Manual Override
Pan Travel Range	360° Continuous
Manual Pan Speed	0.5° ~ 180°/sec
Manual Turbo Pan Speed	360°/sec
Preset Pan Speed	360°/sec
Tilt Travel Range	-5° ~ 185°
Manual Tilt Speed	0.5° ~ 90°/sec
Preset Tilt Speed	360°/sec
Proportional Pan & Tilt	Yes
Preset Accuracy	0.2°
Preset	128 Positions
Area Title	24
Privacy Zone	8
Title Character	16
Tour	4
Pattern	4 (120 seconds)
Auto Pan	4 Scan, 1 Auto Pan
Automatic Flip (180°)	Instant Digital Flip
Alarm Input / Output	4 / 1
General Information	MS-Z10P
Operating Temperature	-5°C ~ +45°C (Normal), -20°C ~ +55°C (Fan & Heater)
Operating Humidity	Within 90% RH
Power Requirement	24VAC / 20W
w/ Fan & Heater	24VAC / 50W

*specifications are subject to change without any prior notice.

DIMENSIONS

Unit: mm



EasyTrak™ Premium PTZ

Modular Design, WDR, Day/Night, 550 TV Lines, Vandalproof PTZ Dome Camera(GUI)

SC-P36P • SC-P35P

PAL



KEY FEATURES

- Modular Design
- GUI (Graphical User Interface)
- 99 Schedule management through real time clock
- Auto Calibration by magnetic sensor
- Auto Tracking
- Individually programmable preset control
- De-icing Housing (Optional)
- Day & Night Schedule & Modular Design improvement from SD Series
- Remote Heater Control

CONSTRUCTION

- 6" Polycarbonate Bubble
- Impact Resistant Dome w/ Aluminum Pendant Housing w/ Wall Mount
- Weatherproof - IP66
- Fan & Heater (Optional)

AVAILABLE MODELS

- SC-P36P-PHW • SC-P35P-PHW
- SC-P36N-PHW • SC-P35N-PHW
- SC-P36P-IHW • SC-P35P-IHW
- SC-P36N-IHW • SC-P35N-IHW
- SC-P36P-FMH • SC-P35P-FMH
- SC-P36N-FMH • SC-P35N-FMH
- SC-P36P-SMH • SC-P35P-SMH
- SC-P36N-SMH • SC-P35N-SMH

AVAILABLE ACCESSORIES

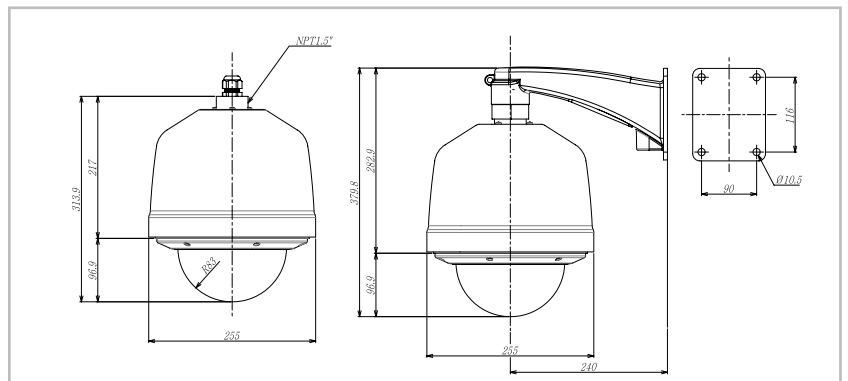
- SC-SMH: Surface Mount Housing Kit
- SC-FMH: Flush Mount Housing Kit
- SC-OH: Outdoor Housing
- SC-IH: Indoor Housing
- SC-FH: Fan & Heater
- SC-BS: Base
- CA-JB2: Power Box
- SD-PMB: Pole Mount Bracket
- SD-CMB: Corner Mount Bracket
- SD-PM: Pedestal Mount
- SD-PPM: Parapet Mount
- SD-IMB: I-Beam Mount Bracket
- SD-WL: Wall Mount Bracket

TECHNICAL SPECIFICATIONS

Technical Specifications	SC-P36P	SC-P35P
Video Format	NTSC/PAL	
Image Sensor	1/4" CCD	
Horizontal Resolution	550 TV Lines	
Day/Night Functionality	Yes w/ ICR	
Lens Type	36X A/F Optical Zoom 3.4-122.4mm	35X A/F Optical Zoom 3.4-119mm
Digital Zoom	12X Digital Zoom	
Angle of View	57.8°(W) ~ 1.7°(T)	58.2°(W) ~ 1.8°(T)
Min. Focus Distance	30cm	
Communication	RS-485	
Sync System	Internal	
Effective Pixels (HxV)	752(H) x 582(V)	
Electronic Shutter	1/1 ~ 1/10,000 sec.	1/1 ~ 1/30,000 sec.
Main Video Output	1.0 Vp-p Composite, 75 ohm	
Service Monitor Output	1.0 Vp-p Composite, 75 ohm	
Minimum Illumination	1.4 Lux (Color) 0.01 Lux (ICR On)	1 Lux (Color) 0.01 Lux (ICR On)
S/N Ratio	More than 50dB (AGC Off)	
WDR	Yes	
BLC	Yes (On/Off)	
DNR	Yes	
Focus / WB / Iris / Gain Control	Auto with Manual Override	
Pan Travel Range	360° Continuous	
Manual Pan Speed	0.1° ~ 105°/sec	
Manual Turbo Pan Speed	420°/sec	
Preset Pan Speed	420°/sec	
Tilt Travel Range	-5° ~ 185°	
Manual Tilt Speed	0.1° ~ 105°/sec	
Preset Tilt Speed	420°/sec	
Proportional Pan & Tilt	Yes	
Preset Accuracy	0.2°	
Preset	248 Positions	
Area Title	24	
Privacy Zone	8	
Title Character	16	
Tour	8	
Pattern	8 (480 seconds)	
Auto Pan	16 Scan, 1 Auto Pan	
Automatic Flip (180°)	Instant Digital Flip	
Alarm Input / Output	8 / 2	
General Information	SC-P36P	SC-P35P
Operating Temperature	0°C~+50°C (Normal) -20°C~+55°C (Fan&Heater)	
Operating Humidity	Within 90% RH	
Power Requirement	SC-P36P	SC-P35P
Dome Only	24VAC / 20W	
w/ Fan & Normal Heater	24VAC / 50W	
De-icing Heater	24VAC / 160W	

*specifications are subject to change without any prior notice.

Unit: Inches (mm)



EasyTrak™ Standard PTZ

Modular Design, WDR, Day/Night, 550 TV Lines, Vandalproof PTZ Dome Camera(TUI)

SC-S36P • SC-SN36P

PAL



KEY FEATURES

- Modular Design
- TUI (Text User Interface)
- 10 Schedule management through real time clock
- Auto Calibration by sensor
- Individually programmable preset control
- De-icing Housing (Optional)
- Day & Night Schedule & Modular Design improvement from SD Series
- Remote Heater Control

CONSTRUCTION

- 6" Polycarbonate Bubble
- Impact Resistant Dome w/ Aluminum Pendant Housing w/ Wall Mount
- Weatherproof - IP66
- Fan & Heater (Optional)

AVAILABLE MODELS

- SC-S36P-PHW • SC-SN36P-PHW
- SC-S36N-PHW • SC-SN36N-PHW
- SC-S36P-IHW • SC-SN36P-IHW
- SC-S36N-IHW • SC-SN36N-IHW
- SC-S36P-FMH • SC-SN36P-FMH
- SC-S36N-FMH • SC-SN36N-FMH
- SC-S36P-SMH • SC-SN36P-SMH
- SC-S36N-SMH • SC-SN36N-SMH

AVAILABLE ACCESSORIES

- SC-SMH: Surface Mount Housing Kit
- SC-FMH: Flush Mount Housing Kit
- SC-OH: Outdoor Housing
- SC-IH: Indoor Housing
- SC-FH: Fan & Heater
- SC-BS: Base
- CA-JB2: Power Box
- SD-PMB: Pole Mount Bracket
- SD-CMB: Corner Mount Bracket
- SD-PM: Pedestal Mount
- SD-PPM: Parapet Mount
- SD-IMB: I-Beam Mount Bracket
- SD-WL: Wall Mount Bracket

TECHNICAL SPECIFICATIONS

Technical Specifications	SC-S36P	SC-SN36P
Video Format	NTSC/PAL	
Image Sensor	1/4" CCD	1/4" SONY Soper HAD CCD
Horizontal Resolution	550 TV Lines	
Day/Night Functionality	Yes w/ ICR	
Lens Type	36X A/F Optical Zoom 3.4-122.4mm	
Digital Zoom	12X Digital Zoom	16X Digital Zoom
Angle of View	57.8°(W) ~ 1.7°(T)	
Min. Focus Distance	30cm	
Communication	RS-485	
Sync System	Internal/External	Internal
Effective Pixels (HxV)	752(H) x 582(V)	
Electronic Shutter	1/1 ~ 1/10,000 sec.	1/50 ~ 1/100,000 sec.
Main Video Output	1.0 Vp-p Composite, 75 ohm	
Service Monitor Output	1.0 Vp-p Composite, 75 ohm	
Minimum Illumination	1.4 Lux (Color) 0.01 Lux (ICR On)	0.5 Lux (Color) 0.001 Lux (ICR On)
S/N Ratio	More than 50dB (AGC Off)	
WDR	On/Off/Auto	Yes
BLC	Yes (On/Off)	Off/On/Auto
DNR	Off/1-5	Off/Low/High
Focus / WB / Iris / Gain Control	Auto with Manual Override	Auto with Manual Override
Pan Travel Range	360° Continuous	360° Continuous
Manual Pan Speed	0.1° ~ 90°/sec	
Manual Turbo Pan Speed	360°/sec	
Preset Pan Speed	360°/sec	
Tilt Travel Range	-5° ~ 185°	
Manual Tilt Speed	0.1° ~ 90°/sec	
Preset Tilt Speed	360°/sec	
Proportional Pan & Tilt	Yes	
Preset Accuracy	0.2°	
Preset	240 Positions	
Area Title	16	
Privacy Zone	8	
Title Character	16	
Tour	8	
Pattern	4 (240 seconds)	
Auto Pan	8 Scan, 1 Auto Pan	
Automatic Flip (180°)	Instant Digital Flip	
Alarm Input / Output	8 / 2	
General Information	SC-S36P	SC-SN36P
Operating Temperature	0°C~+50°C (Normal) -20°C~+55°C (Fan&Heater)	
Operating Humidity	Within 90% RH	
Power Requirement	SC-S36P	SC-SN36P
Dome Only	24VAC / 20W	
w/ Fan & Normal Heater	24VAC / 50W	
De-icing Heater	24VAC / 160W	

*specifications are subject to change without any prior notice.

Unit: Inches (mm)

